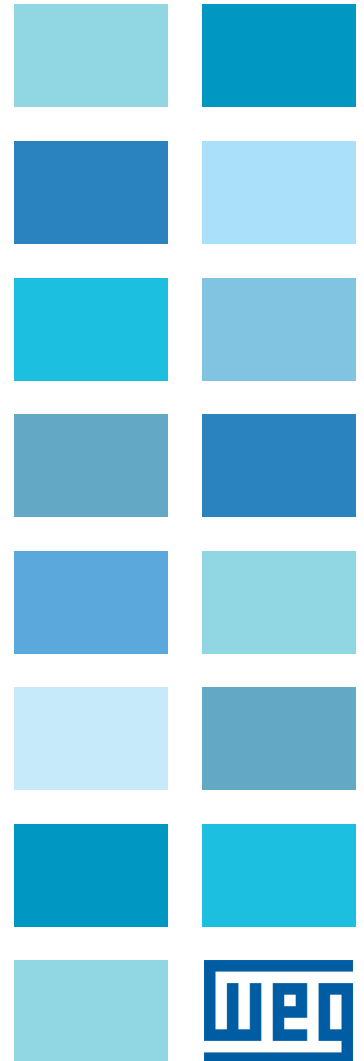
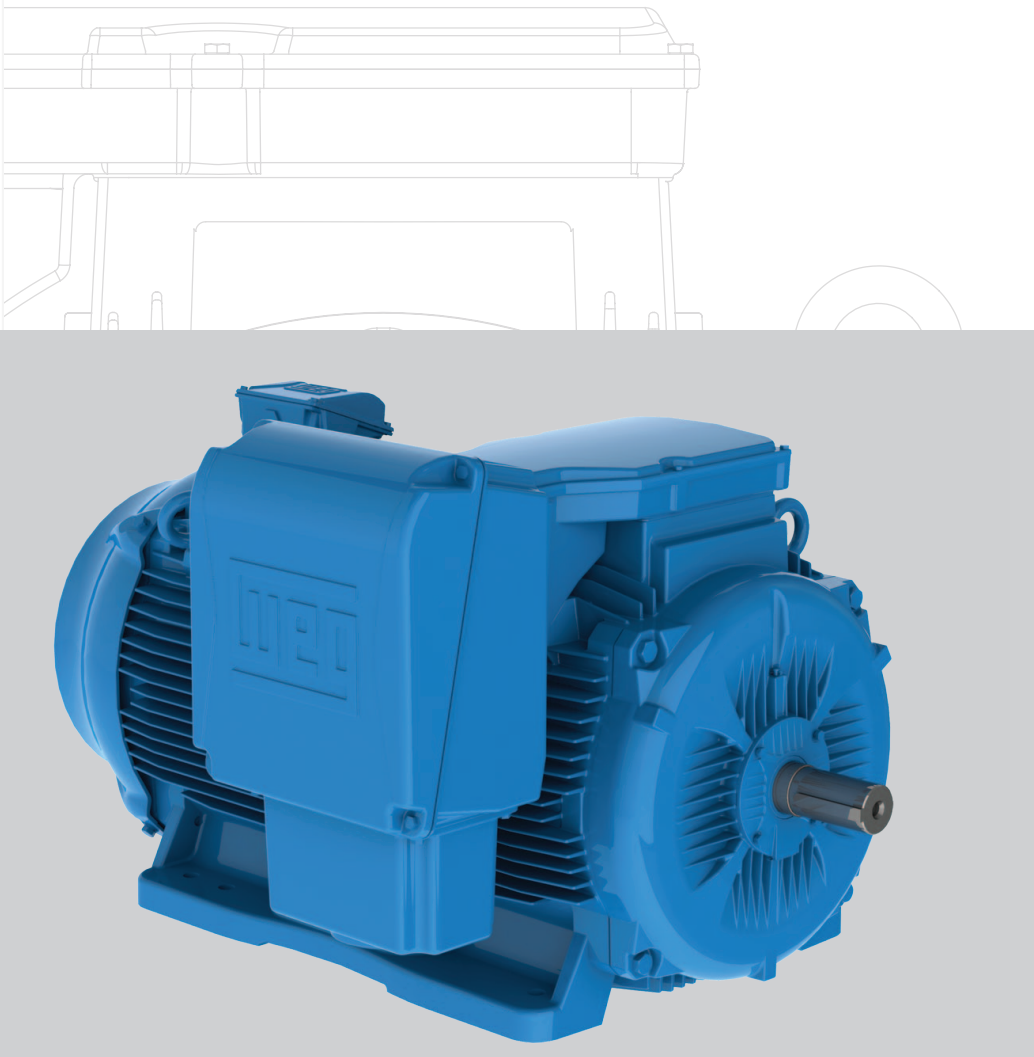


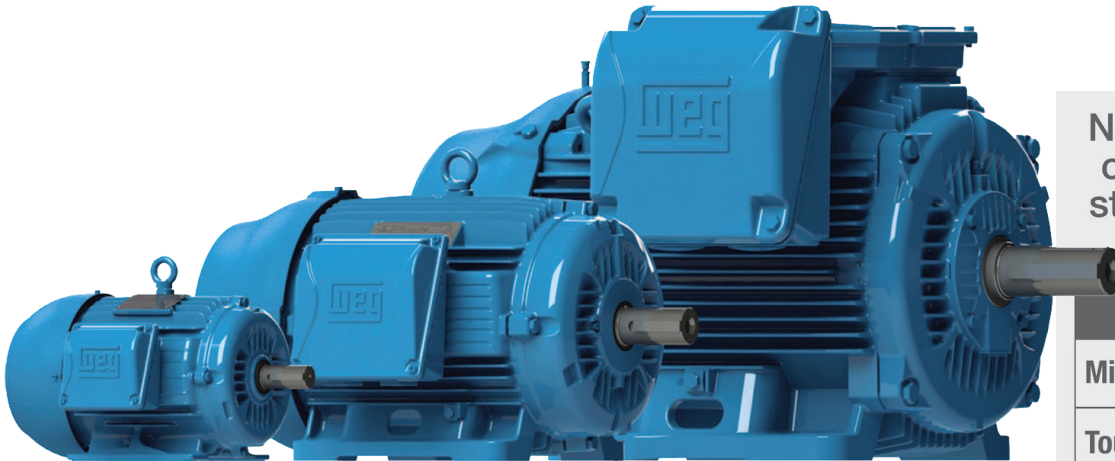
W22 Severe Duty Motors – TEFC

Medium Voltage Motors





Severe Duty is Standard with WEG W22 motors.



No matter what you call it, WEG's W22 standard product is designed for:

DUTY	STANDARD
Mill-Chem	✓
Tough Service	✓
Severe Duty	✓
Crusher Duty	✓
WEG Duty	✓



W22 Medium Voltage Motors - TEFC

Severe Duty

High performance with maximum energy efficiency is the goal of the new WEG electric motor. High efficiency and low cost of ownership throughout the entire motor lifetime have been the basis for the W22 development. A design created to maximize performance and energy savings.

Applications

Pumps, fans, crushers, conveyor belts, mills, centrifugal machines, presses, elevators, packaging equipment, grinders and more.

Standard Features

- 3-phase, 2, 4, 6 & 8 pole, 60 Hz
- Voltages: 2300V through 6600V
- Totally Enclosed Fan Cooled - TEFC (IP55) as per NEMA MG1
- Squirrel Cage rotor / Aluminum die cast
- Frames L447/9, 586/7 and 588/9 are all fitted with WSeal®
- Ball Bearings
- Regreasable bearings with grease fittings on DE and NDE
- AISI 4140 high strength steel shaft
- Class "F" insulation for all frames
- Form Wound and VPI impregnation insulation system
- Temperature rise limited to Class "B" (80K) unless otherwise indicated
- NEMA design "B"
- Service Factor: 1.15 unless otherwise indicated
- Continuous duty (S1)
- 104°F (40°C) ambient temperature
- Altitude: 3300ft (1000m)
- NPT threaded conduit hole
- Double Gasketed terminal box
- Field re-configurable terminal box (Mounting F1, F2, F3)
- Stainless steel nameplate AISI 316 with laser etching
- Paint: Synthetic enamel alkyd resin base (240 hours minimum ASTM B117 salt spray test)
- Paint Plan: 203A
- Color: RAL 5009 - Blue
- Fitted with closed rubber drain plug
- 2 x RTD (PT100) per phase
- Plastic fan for 2 pole motors on frames L447/9 and 586/7
- Aluminum fan for frames L447/9 and 586/7 at 4, 6, or 8 poles and frame 588/9 on 2, 4, 6 and 8 poles
- Warranty – 18 months from manufacture date OR 12 months from delivery
- CSA Safe Area Certification provided as standard



Optional Features

- 50 Hz motors
- Space heater
- Bearing RTDs
- Roller bearings available
- Shaft: special dimensions, double shaft, tapered, special steel
- Labyrinth tachonite seal available for all ratings
- Degrees of Protection: IP56(W), IP65(W), InproSeal
- Thermostats, Thermistors
- Vertical Jackscrews
- Dowel Pin Provisions
- Additional terminal box
- Drip cover (canopy) for shaft down applications
- Cable glands
- NEMA FC Face and D flanges for all ratings
- Special painting plan or color
- VFD application available
- IEEE-841 compliant and nameplated up to and including 500HP
- IEC Standard available
- CSA CUS Hazardous Area Certification available

For other features, please contact your representative





W22 Medium Voltage Motors - TEFC 2300 – 4160V Severe Duty

HP	RPM	NEMA Frame	Catalog Number	List Price	Mult. Symbol	Approx. Shipping Weight (lbs)	FL Amps					“C” Dimension (in.)	Voltage (V)	Notes
							2.3	2.4	3.3 kV	4.0	4.16			
125	3600	L447/9TS	1253600W22ZL447	\$39,319	MAQ1	2500	28.80	27.6	20.0	16.5	15.9	53.431	2300 - 4160	
	1200	L447/9T	1251200W22ZL447	\$39,125	MAQ1	3000	30.40	29.1	21.2	17.5	16.8	57.181	2300 - 4160	
	900	L447/9T	1250900W22ZL447	\$47,848	MAQ1	3000	34.70	33.3	24.2	20.0	19.2	57.181	2300 - 4160	
150	3600	L447/9TS	1503600W22ZL447	\$40,554	MAQ1	3000	34.90	33.5	24.3	20.1	19.3	53.431	2300 - 4160	
	1800	L447/9T	1501800W22ZL447	\$36,829	MAQ1	3000	35.60	34.1	24.8	20.5	19.7	57.181	2300 - 4160	
	1200	L447/9T	1501200W22ZL447	\$40,355	MAQ1	3000	36.70	35.2	25.6	21.1	20.3	57.181	2300 - 4160	
	900	L447/9T	1500900W22ZL447	\$49,354	MAQ1	3500	42.30	40.6	29.5	24.3	23.4	57.181	2300 - 4160	
175	3600	L447/9TS	1753600W22ZL447	\$41,830	MAQ1	3000	41.60	39.9	29.0	23.9	23.0	53.431	2300 - 4160	
	1800	L447/9T	1751800W22ZL447	\$37,989	MAQ1	3000	42.10	40.4	29.4	24.2	23.3	57.181	2300 - 4160	
	1200	L447/9T	1751200W22ZL447	\$41,624	MAQ1	3000	43.80	41.9	30.5	25.2	24.2	57.181	2300 - 4160	
	900	L447/9T	1750900W22ZL447	\$50,543	MAQ1	3500	51.50	49.4	35.9	29.6	28.5	57.181	2300 - 4160	
200	3600	L447/9TS	2003600W22ZL447	\$42,432	MAQ1	3000	47.00	45.1	32.8	27.0	26.0	53.431	2300 - 4160	
	1800	L447/9T	2001800W22ZL447	\$39,147	MAQ1	3000	47.70	45.8	33.3	27.5	26.4	57.181	2300 - 4160	
	1200	L447/9T	2001200W22ZL447	\$42,221	MAQ1	3500	49.70	47.7	34.7	28.6	27.5	57.181	2300 - 4160	
	900	L447/9T	2000900W22ZL447	\$52,544	MAQ1	3500	58.40	56.0	40.7	33.6	32.3	57.181	2300 - 4160	*
250	3600	L447/9TS	2503600W22ZL447	\$45,670	MAQ1	3500	57.20	54.8	39.8	32.9	31.6	53.431	2300 - 4160	
	1800	L447/9T	2501800W22ZL447	\$41,465	MAQ1	3500	58.40	56.0	40.7	33.6	32.3	57.181	2300 - 4160	
	1200	L447/9T	2501200W22ZL447	\$45,445	MAQ1	3500	64.80	62.1	45.1	37.2	35.8	57.181	2300 - 4160	*
	900	586/7T	2500900W22Z586	\$59,887	MAQ1	4500	67.50	64.7	47.0	38.8	37.3	61.902	2300 - 4160	
300	3600	L447/9TS	3003600W22ZL447	\$47,364	MAQ1	3500	67.80	65.0	47.3	39.0	37.5	53.431	2300 - 4160	*
	1800	L447/9T	3001800W22ZL447	\$42,603	MAQ1	3500	69.50	66.6	48.4	39.9	38.4	57.181	2300 - 4160	
	1200	586/7T	3001200W22Z586	\$51,688	MAQ1	4500	76.00	72.8	52.9	43.7	42.0	61.902	2300 - 4160	
	900	588/9T	3000900W22Z588	\$66,311	MAQ1	5000	80.10	76.8	55.8	46.1	44.3	69.381	2300 - 4160	
350	3600	586/7TS	3503600W22Z586	\$55,113	MAQ1	4000	78.00	74.7	54.3	44.8	43.1	55.027	2300 - 4160	
	1800	586/7T	3501800W22Z586	\$46,521	MAQ1	4500	83.70	80.3	58.4	48.2	46.3	61.902	2300 - 4160	
	1200	588/9T	3501200W22Z588	\$55,338	MAQ1	5000	89.50	85.8	62.4	51.5	49.5	69.381	2300 - 4160	
	900	588/9T	3500900W22Z588	\$74,543	MAQ1	5000	95.50	91.5	66.6	54.9	52.8	69.381	2300 - 4160	
400	3600	588/9TS	4003600W22Z588	\$59,323	MAQ1	4500	89.70	86.0	62.5	51.6	49.6	62.506	2300 - 4160	
	1800	588/9T	4001800W22Z588	\$50,970	MAQ1	5000	94.20	90.3	65.7	54.2	52.1	69.381	2300 - 4160	
	1200	588/9T	4001200W22Z588	\$59,565	MAQ1	5000	103	98.6	71.7	59.2	56.9	69.381	2300 - 4160	
	900	588/9T	4000900W22Z588	\$80,235	MAQ1	5500	107	103	74.6	61.6	59.2	69.381	2300 - 4160	*
450	3600	588/9TS	4503600W22Z588	\$62,166	MAQ1	5000	98.80	94.6	68.8	56.8	54.6	62.506	2300 - 4160	
	1800	588/9T	4501800W22Z588	\$54,596	MAQ1	5000	103	99.1	72.1	59.5	57.2	69.381	2300 - 4160	
	1200	588/9T	4501200W22Z588	\$64,887	MAQ1	5500	112	107	77.8	64.2	61.7	69.381	2300 - 4160	
500	3600	588/9TS	5003600W22Z588	\$74,591	MAQ1	5500	110	106	76.8	63.3	60.9	62.506	2300 - 4160	
	1800	588/9T	5001800W22Z588	\$57,610	MAQ1	5500	116	111	80.6	66.5	63.9	69.381	2300 - 4160	
	1200	588/9T	5001200W22Z588	\$68,469	MAQ1	5500	125	120	87.2	72.0	69.2	69.381	2300 - 4160	*
550	3600	588/9TS	5503600W22Z588	\$75,819	MAQ1	5500	119	114	83.1	68.5	65.9	62.506	2300 - 4160	
	1800	588/9T	5501800W22Z588	\$67,442	MAQ1	5500	125	120	87.1	71.9	69.1	69.381	2300 - 4160	*
600	3600	588/9TS	6003600W22Z588	\$78,163	MAQ1	5500	132	127	92.0	75.9	73.0	62.506	2300 - 4160	*
	1800	588/9T	6001800W22Z588	\$69,528	MAQ1	5500	137	132	95.8	79.0	76.0	69.381	2300 - 4160	*

Notes:

Motor components are stocked for flexibility and quick shipment.

* SF = 1.00 and F (DT = 105K).

Pricing is F.O.B. WEG USA Warehouse – Customer responsible for freight charges from any WEG USA warehouse to desired location.



W22 Medium Voltage Motors - TEFC 6000 – 6600V Severe Duty

HP	RPM	NEMA Frame	Catalog Number	List Price	Mult. Symbol	Approx. Shipping Weight (lbs)	FL Amps			“C” Dimension (in.)	Voltage (V)	Notes
							6.0	6.3 kV	6.6			
150	900	L447/9T	1500900W22HL447	\$58,458	MAQ1	3500	18.6	17.7	16.9	57.181	6000 - 6600	
175	900	588/9T	1750900W22H588	\$60,297	MAQ1	4500	19.4	18.4	17.6	69.381	6000 - 6600	
200	3600	L447/9TS	2003600W22HL447	\$48,960	MAQ1	3500	18.4	17.5	16.7	53.431	6000 - 6600	
	1800	586/7T	2001800W22H586	\$45,337	MAQ1	4000	18.7	17.8	17.0	61.902	6000 - 6600	
	1200	586/7T	2001200W22H586	\$49,639	MAQ1	4500	21.3	20.3	19.4	61.902	6000 - 6600	
	900	588/9T	2000900W22H588	\$61,165	MAQ1	5000	22.0	21.0	20.0	69.381	6000 - 6600	
250	3600	L447/9TS	2503600W22HL447	\$52,696	MAQ1	3500	22.3	21.3	20.3	53.431	6000 - 6600	
	1800	586/7T	2501800W22H586	\$46,997	MAQ1	4000	22.9	21.8	20.8	61.902	6000 - 6600	
	1200	588/9T	2501200W22H588	\$53,003	MAQ1	5000	25.1	23.9	22.8	69.381	6000 - 6600	
	900	588/9T	2500900W22H588	\$65,310	MAQ1	5000	27.3	26.0	24.8	69.381	6000 - 6600	
300	3600	588/9TS	3003600W22H588	\$54,651	MAQ1	4500	25.5	24.3	23.2	62.506	6000 - 6600	
	1800	588/9T	3001800W22H588	\$52,619	MAQ1	4500	26.8	25.6	24.4	69.381	6000 - 6600	
	1200	588/9T	3001200W22H588	\$59,345	MAQ1	5000	29.7	28.3	27.0	69.381	6000 - 6600	
	900	588/9T	3000900W22H588	\$73,325	MAQ1	5000	30.6	29.1	27.8	69.381	6000 - 6600	*
350	3600	588/9TS	3503600W22H588	\$60,776	MAQ1	5000	30.0	28.6	27.3	62.506	6000 - 6600	
	1800	588/9T	3501800W22H588	\$57,946	MAQ1	5000	31.6	30.1	28.7	69.381	6000 - 6600	
	1200	588/9T	3501200W22H588	\$62,311	MAQ1	5000	35.1	33.4	31.9	69.381	6000 - 6600	
400	3600	588/9TS	4003600W22H588	\$66,509	MAQ1	5000	34.5	32.9	31.4	62.506	6000 - 6600	
	1800	588/9T	4001800W22H588	\$63,485	MAQ1	5000	36.7	35.0	33.4	69.381	6000 - 6600	
	1200	588/9T	4001200W22H588	\$69,390	MAQ1	5000	40.9	39.0	37.2	69.381	6000 - 6600	*
450	3600	588/9TS	4503600W22H588	\$79,244	MAQ1	5000	38.0	36.1	34.5	62.506	6000 - 6600	
	1800	588/9T	4501800W22H588	\$67,065	MAQ1	5000	40.7	38.8	37.0	69.381	6000 - 6600	
	1200	588/9T	4501200W22H588	\$73,583	MAQ1	5500	45.0	42.8	40.9	69.381	6000 - 6600	*
500	3600	588/9TS	5003600W22H588	\$82,543	MAQ1	5500	43.0	41.0	39.1	62.506	6000 - 6600	*
	1800	588/9T	5001800W22H588	\$73,455	MAQ1	5500	45.2	43.1	41.1	69.381	6000 - 6600	*
550	3600	588/9TS	5503600W22H588	\$84,264	MAQ1	5500	47.0	44.7	42.7	62.506	6000 - 6600	*
	1800	588/9T	5501800W22H588	\$74,973	MAQ1	5500	48.8	46.5	44.4	69.381	6000 - 6600	*

Notes:

Motor components are stocked for flexibility and quick shipment.

* SF = 1.00 and F (DT = 105K).

Pricing is F.O.B. WEG USA Warehouse – Customer responsible for freight charges from any WEG USA warehouse to desired location.



W22 Medium Voltage 2300 – 4160V Electrical Data

Rated Output		Full Load Speed (RPM)	NEMA Frame	Locked Rotor Current		Full Load Torque Tn (lb. ft.)	Locked Rotor Torque (TL/Tn)	Break Down Torque (Tb/Tn)	Efficiency 2300V - 4160V			Power Factor 2300V - 4160V			Moment of Inertia WK2 (lb.ft ²)	Approx. Weight (lb)	Approx. Sound dB(A)
				kVA Code	II/In				% of full load								
HP	kW								50	75	100	50	75	100			
125	90	3600	L447/9TS	H	7.3	181	1.40	2.70	90.20	91.70	92.40	0.72	0.81	0.85	29.20	2500	88
		1200	L447/9T	G	6.4	547	1.30	2.10	92.50	92.70	92.70	0.64	0.75	0.80	87.80	3000	71
		900	L447/9T	H	6.3	726	1.80	2.10	91.80	92.90	93.00	0.51	0.63	0.70	114.00	3000	66
150	110	3600	L447/9TS	H	7.3	217	1.40	2.70	91.70	92.40	93.00	0.72	0.81	0.85	29.20	3000	88
		1800	L447/9T	G	6.6	435	1.60	2.30	91.50	92.70	93.30	0.69	0.78	0.83	71.00	3000	79
		1200	L447/9T	G	6.4	657	1.30	2.10	92.80	92.90	92.90	0.67	0.77	0.81	104.00	3000	71
		900	L447/9T	J	6.5	871	2.00	2.50	92.20	93.00	93.10	0.51	0.63	0.70	128.00	3500	66
175	132	3600	L447/9TS	H	7.3	254	1.40	2.70	91.70	93.00	93.60	0.72	0.81	0.85	32.20	3000	88
		1800	L447/9T	H	6.6	508	1.60	2.30	92.00	93.20	93.80	0.71	0.80	0.84	78.50	3000	79
		1200	L447/9T	H	6.4	767	1.30	2.10	93.00	93.20	93.30	0.67	0.77	0.81	114.00	3000	71
		900	L447/9T	J	6.3	1018	1.80	2.20	92.50	93.40	93.30	0.49	0.62	0.69	138.00	3500	66
200	150	3600	L447/9TS	H	7.3	290	1.40	2.70	92.40	93.60	94.10	0.72	0.82	0.85	34.30	3000	88
		1800	L447/9T	H	6.8	580	1.60	2.30	92.60	93.80	93.80	0.71	0.80	0.84	87.80	3000	79
		1200	L447/9T	H	6.6	877	1.30	2.10	93.20	93.60	93.60	0.66	0.77	0.81	114.00	3500	71
		900	L447/9T	J	6.3	1163	1.80	2.20	92.60	93.40	93.50	0.49	0.62	0.69	138.00	3500	66
250	185	3600	L447/9TS	H	7.3	362	1.40	2.70	93.20	94.20	94.60	0.74	0.83	0.86	39.30	3500	88
		1800	L447/9T	H	6.8	725	1.60	2.30	93.40	94.30	94.50	0.71	0.80	0.84	96.30	3500	79
		1200	L447/9T	J	7.5	1088	1.90	2.60	94.00	94.20	94.30	0.57	0.69	0.76	123.00	3500	71
		900	586/7T	J	6.7	1450	1.80	2.40	93.00	94.00	94.20	0.53	0.65	0.73	299.00	4500	75
300	220	3600	L447/9TS	H	7.6	434	1.50	2.70	93.60	94.50	94.70	0.73	0.82	0.86	43.90	3500	88
		1800	L447/9T	H	7.1	870	1.80	2.70	93.80	94.60	94.70	0.71	0.80	0.84	108.00	3500	79
		1200	586/7T	J	7.2	1305	1.70	2.30	93.20	94.20	94.50	0.60	0.71	0.77	282.00	4500	77
		900	588/9T	H	6.6	1741	1.80	2.70	93.60	94.40	94.50	0.53	0.65	0.73	325.00	5000	75
350	260	3600	586/7TS	H	7.5	507	1.40	3.00	94.10	94.50	95.10	0.78	0.85	0.88	72.80	4000	89
		1800	586/7T	J	7.6	1014	2.10	2.70	93.60	94.60	95.10	0.66	0.77	0.82	183.00	4500	81
		1200	588/9T	J	7.0	1523	1.70	2.30	93.70	94.60	94.60	0.60	0.71	0.77	301.00	5000	77
		900	588/9T	J	6.8	2031	2.00	2.90	94.20	94.80	94.90	0.52	0.65	0.72	356.00	5000	75
400	300	3600	588/9TS	H	7.8	579	1.60	2.50	94.50	95.00	95.40	0.80	0.86	0.88	91.70	4500	89
		1800	588/9T	J	7.6	1158	2.10	2.70	94.00	95.00	95.10	0.70	0.80	0.84	218.00	5000	81
		1200	588/9T	J	7.2	1740	1.80	2.40	94.00	94.90	95.00	0.59	0.71	0.77	327.00	5000	77
		900	588/9T	H	6.2	2326	1.70	2.50	94.40	94.90	95.00	0.55	0.67	0.74	356.00	5500	75
450	330	3600	588/9TS	H	7.8	651	1.60	2.50	94.50	95.40	95.40	0.80	0.86	0.88	96.80	5000	89
		1800	588/9T	H	7.6	1303	2.10	2.70	94.30	95.00	95.40	0.70	0.80	0.84	233.00	5000	81
		1200	588/9T	H	6.8	1959	1.50	2.10	94.30	95.00	95.10	0.62	0.73	0.78	356.00	5500	77
500	370	3600	588/9TS	H	7.8	723	1.60	2.50	95.00	95.80	95.80	0.80	0.86	0.88	105.00	5500	89
		1800	588/9T	H	7.6	1448	2.10	2.70	94.70	95.20	95.60	0.70	0.80	0.84	255.00	5500	81
		1200	588/9T	H	6.8	2177	1.50	2.10	94.30	95.00	95.10	0.61	0.72	0.78	365.00	5500	77
550	400	3600	588/9TS	H	7.8	796	1.60	2.50	95.40	95.80	95.80	0.80	0.86	0.88	115.00	5500	89
		1800	588/9T	J	8.0	1593	2.20	2.80	94.80	95.40	95.60	0.70	0.80	0.84	255.00	5500	81
600	440	3600	588/9TS	J	8.1	868	1.70	2.50	95.40	95.80	96.20	0.78	0.85	0.87	115.00	5500	89
		1800	588/9T	H	7.6	1739	2.10	2.70	95.00	95.50	95.70	0.70	0.80	0.84	255.00	5500	81

Note: Motor data and drawings are also available at the following website: <http://ecatalog.weg.net>



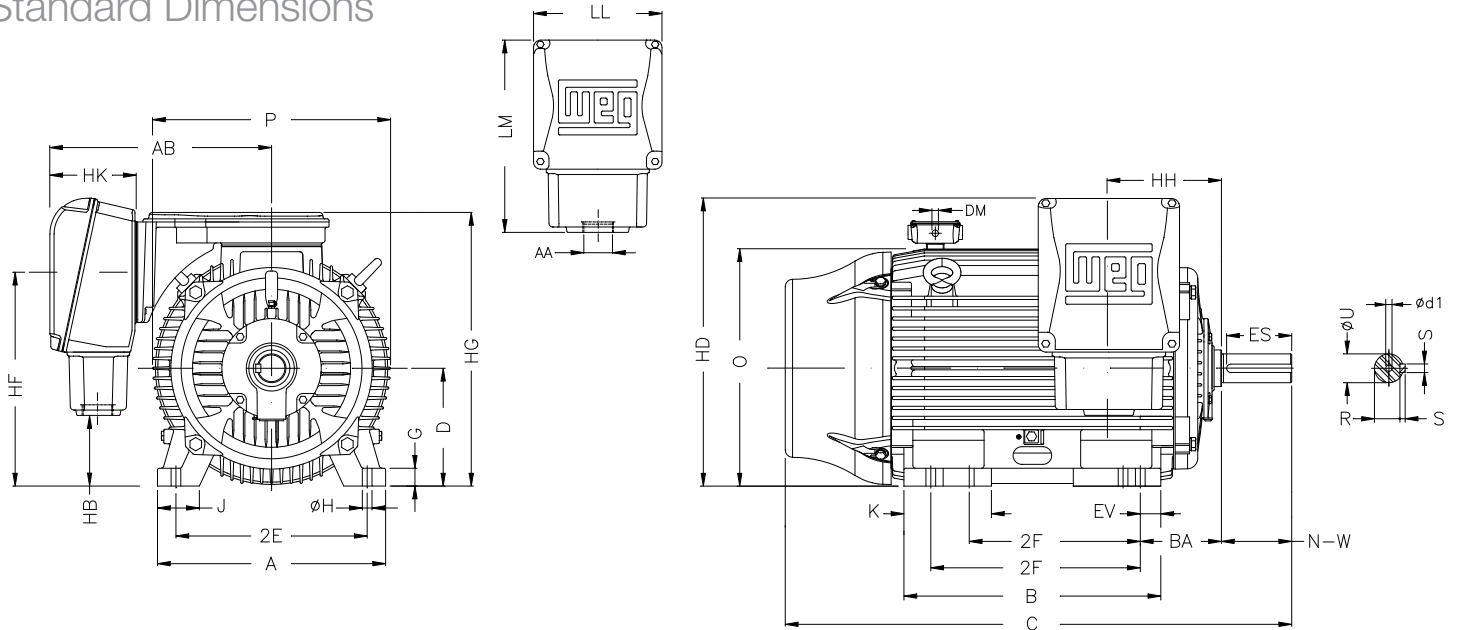
W22 Medium Voltage 6000 – 6600V Electrical Data

Rated Output		Full Load Speed (RPM)	NEMA Frame	Locked Rotor Current		Full Load Torque Tn (lb. ft.)	Locked Rotor Torque (Tl/Tn)	Break Down Torque (Tb/Tn)	Efficiency 6000V - 6600V			Power Factor 6000V - 6600V			Moment of Inertia WK2 (lb.ft ²)	Approx. Weight (lb)	Approx. Sound dB(A)
HP	kW			kVA Code	II/In				% of full load								
									50	75	100	50	75	100			
150	110	900	L447/9T	M	7.8	870	2.20	2.50	90	91.6	92	0.41	0.53	0.62	131.00	3500	66
175	132	900	588/9T	K	7.8	1014	1.60	2.50	90.7	92.2	92.4	0.52	0.63	0.71	252.00	4500	75
200	150	3600	L447/9TS	K	8.5	289	1.20	2.40	91.3	92.9	93.3	0.71	0.8	0.84	35.60	3500	88
		1800	586/7T	H	7.0	580	1.20	2.10	91.2	92.6	92.9	0.72	0.8	0.83	152.00	4000	81
		1200	586/7T	K	7.8	869	1.30	2.40	91	92.5	92.8	0.6	0.67	0.73	249.00	4500	77
		900	588/9T	K	7.8	1159	1.80	2.50	90.7	92.2	92.5	0.49	0.63	0.71	266.00	5000	75
250	185	3600	L447/9TS	J	7.7	362	1.20	2.40	92.4	93.6	93.8	0.75	0.82	0.85	40.30	3500	88
		1800	586/7T	H	7.0	725	1.20	2.10	92.5	93.5	93.6	0.72	0.8	0.83	154.00	4000	81
		1200	588/9T	J	7.3	1088	1.30	2.00	92.6	93.5	93.5	0.61	0.71	0.76	268.00	5000	77
		900	588/9T	K	7.8	1449	1.80	2.50	91.8	93	93.1	0.47	0.62	0.7	287.00	5000	75
300	220	3600	588/9TS	H	7.3	434	1.20	2.00	93.4	94.3	94.3	0.82	0.85	0.88	85.40	4500	89
		1800	588/9T	H	7.0	870	1.20	2.10	92.7	93.8	93.9	0.73	0.8	0.84	192.00	4500	81
		1200	588/9T	J	7.4	1305	1.30	2.00	92.9	93.8	93.8	0.61	0.71	0.76	285.00	5000	77
		900	588/9T	H	6.7	1742	1.40	2.10	92.9	93.4	93.4	0.57	0.68	0.74	304.00	5000	75
350	260	3600	588/9TS	H	7.3	507	1.20	2.00	94.2	94.8	94.8	0.82	0.85	0.88	92.50	5000	89
		1800	588/9T	H	7.0	1014	1.20	2.10	93.4	94.3	94.4	0.73	0.8	0.84	209.00	5000	81
		1200	588/9T	K	7.8	1521	1.30	2.20	92.9	93.8	93.9	0.6	0.7	0.76	301.00	5000	77
400	300	3600	588/9TS	H	7.3	580	1.20	2.00	94.4	94.8	94.9	0.83	0.85	0.88	97.30	5000	89
		1800	588/9T	J	7.6	1158	1.20	2.10	93.7	94.5	94.6	0.73	0.79	0.83	221.00	5000	81
		1200	588/9T	K	8.4	1739	1.30	2.20	92.9	93.9	94.1	0.57	0.67	0.75	327.00	5000	77
450	330	3600	588/9TS	H	7.3	651	1.20	2.00	94.8	95.1	95.2	0.83	0.85	0.88	97.30	5000	89
		1800	588/9T	J	8.1	1302	2.00	3.00	94.1	94.7	95.1	0.66	0.77	0.82	221.00	5000	85
		1200	588/9T	K	8.4	1958	1.30	3.20	93.4	94	94.2	0.57	0.7	0.75	327.00	5500	77
500	370	3600	588/9TS	H	7.3	724	1.20	2.00	94.9	95.2	95.2	0.82	0.85	0.87	97.30	5500	89
		1800	588/9T	J	7.6	1448	1.20	2.00	93.9	94.8	94.8	0.73	0.79	0.83	233.00	5500	85
550	400	3600	588/9TS	H	7.8	796	1.30	2.00	94.9	95.3	95.3	0.8	0.84	0.86	97.30	5500	89
		1800	588/9T	H	7.6	1595	1.20	2.00	94.3	94.9	94.9	0.73	0.8	0.83	233.00	5500	85

Note: Motor data and drawings are also available at the following website: <http://ecatalog.weg.net>

W22 Medium Voltage Motors - TEFC

Standard Dimensions



NEMA	MOUNTING															KEYWAY			SHAFT EXTENSION	
	FRAME	2E	2F	EV	H	BA	A	B	C	D	G	J	K	O	P	S	R	ES	N-W	U
L447/9T	18.000	20.000 25.000	2.638	0.810	7.500	21.929	31.535	57.181	11.000	1.630	3.937	8.780	23.874	25.866	0.875	2.880	7.087	8.500	3.375	
															0.625	2.021	3.000	4.750	2.375	
L447/9TS	23.000	22.000 25.000	2.559	1.181	10.000	29.528	29.921	61.902	14.500	2.492	5.512	9.055	28.985	28.977	1.000	3.312	8.661	11.625	3.875	
															0.625	2.021	3.000	4.750	2.375	
586/7T	23.000	28.000 32.000	2.756	1.181	10.000	29.528	37.980	69.381	14.500	2.492	5.512	13.030	28.985	28.977	1.000	3.312	8.661	11.625	3.875	
586/7TS															0.625	2.021	3.000	4.750	2.375	
588/9T	23.000	28.000 32.000	2.756	1.181	10.000	29.528	37.980	69.381	14.500	2.492	5.512	13.030	28.985	28.977	1.000	3.312	8.661	11.625	3.875	
588/9TS															0.625	2.021	3.000	4.750	2.375	

NEMA	TERMINAL BOX											BEARINGS		
	FRAME	AB	HB	HD	HF	HG	HH	HK	LL	LM	AA	DM	d1	D.E
L447/9T	28.543	2.125	28.704	21.024	28.236	11.500	11.417	18.11	28.74	1 x NPT 3"	3 x NPT 3/4"	DUNC 3/4"-10	6322-C3	6319-C3
													6314-C3	
L447/9TS	29.330	18.673	34.537	26.732	33.346	13.386	11.417	18.11	28.74	1 x NPT 3"	3 x NPT 3/4"	DUNC 7/8"-9	6322-C3	6319-C3
													6314-C3	
586/7T	29.330	18.673	34.537	26.732	33.346	13.386	11.417	18.11	28.74	1 x NPT 3"	3 x NPT 3/4"	DUNC 3/4"-10	6314-C3	
586/7TS													DUNC 7/8"-9	6322-C3
588/9T	29.330	7.807	35.346	26.732	33.346	13.386	11.417	18.11	28.74	1 x NPT 3"	3 x NPT 3/4"	DUNC 3/4"-10		6314-C3
588/9TS													DUNC 7/8"-9	6322-C3

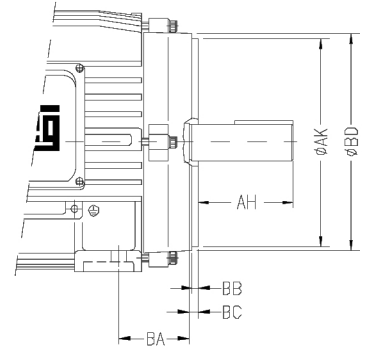
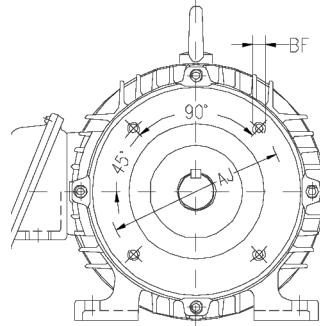
Note: Motor data and drawings are also available at the following website: <http://catalog.weg.net>



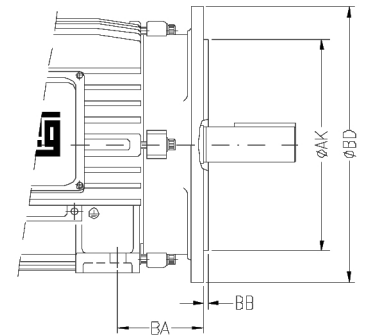
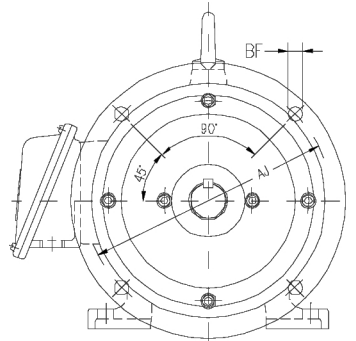
W22 Medium Voltage Motors - TEFC

Standard Dimensions

NEMA	"FC" FLANGE DIMENSIONS IN INCHES								
	FRAME	BA	AJ	AK	BD	BF	BB	BC	AH
L447/9T	7.500	14.000	16.000	17.910	UNC 5/8"x11	0.250	0.250	11.375	8.25
L447/9TS									
586/7T	10.000	14.500	16.500	17.910	UNC 5/8"x11	0.250	0.250	11.375	8.25
586/7TS									
588/9T									
588/9TS									



NEMA	"D" FLANGE DIMENSIONS IN INCHES						
	FRAME	BA	AJ	AK	BD	BF	BB
L447/9T	7.500	20.000	18.000	21.650	0.828	0.203	0.250
L447/9TS							
586/7T	10.000	30.000	28.000	32.000	0.828	0.203	0.250
586/7TS							
588/9T							
588/9TS							



Note: Flanges are not included in standard design. Please contact your WEG representative to order.



Components Design

New Cooling System

Fan Cover

- Aerodynamic design
- Noise level reduction
- Better air flow distribution over frame
- Increased mechanical strength

Fan

- Reinforced fan hub structure
- Noise level reduction
- Increased air flow
- Fan with higher stiffness

Frame

- Reduced temperature on windings and bearings
- Noise level reduction
- Terminal box position outlet on top

Pad for vibration sensor

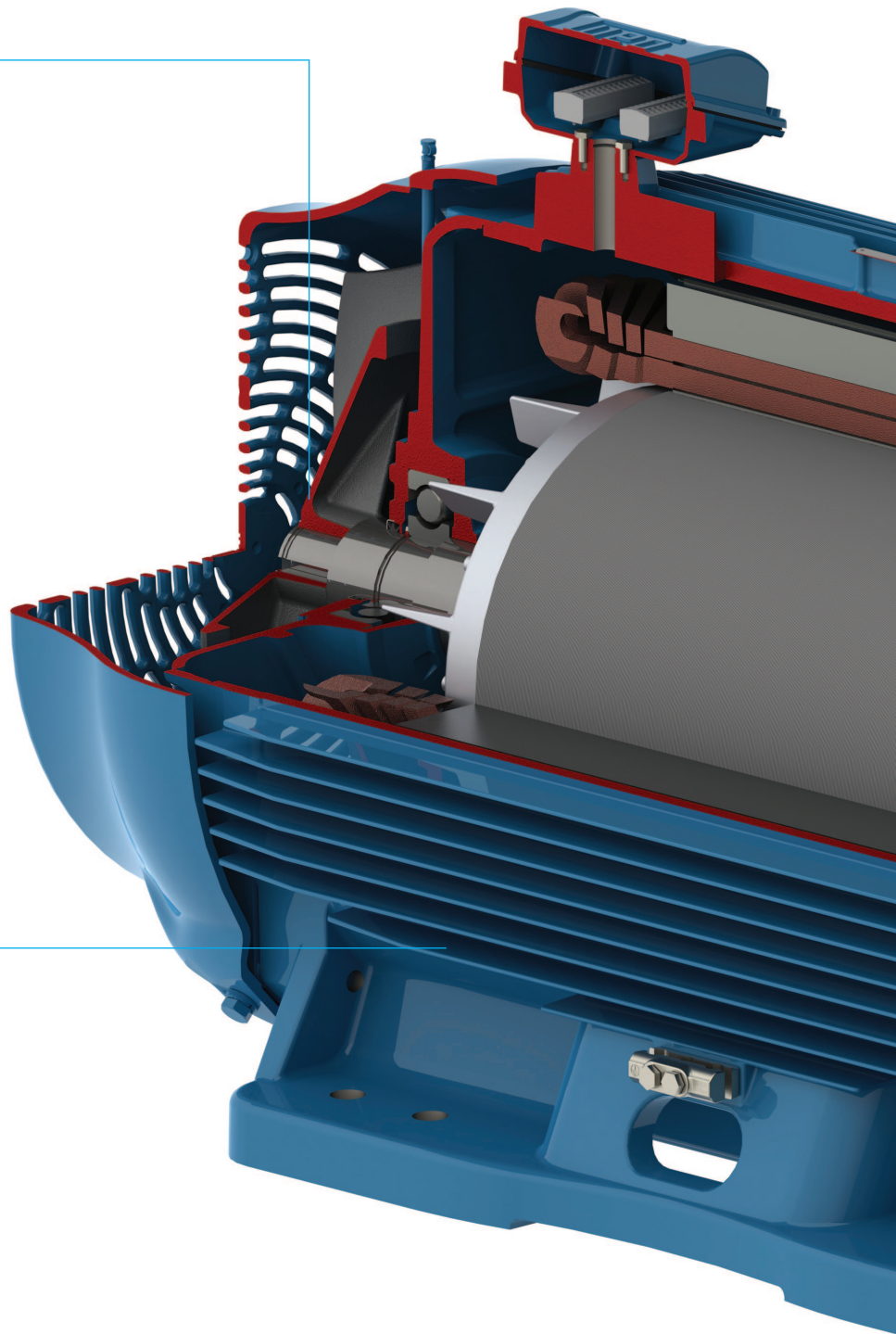
- Displaced 90° from each other

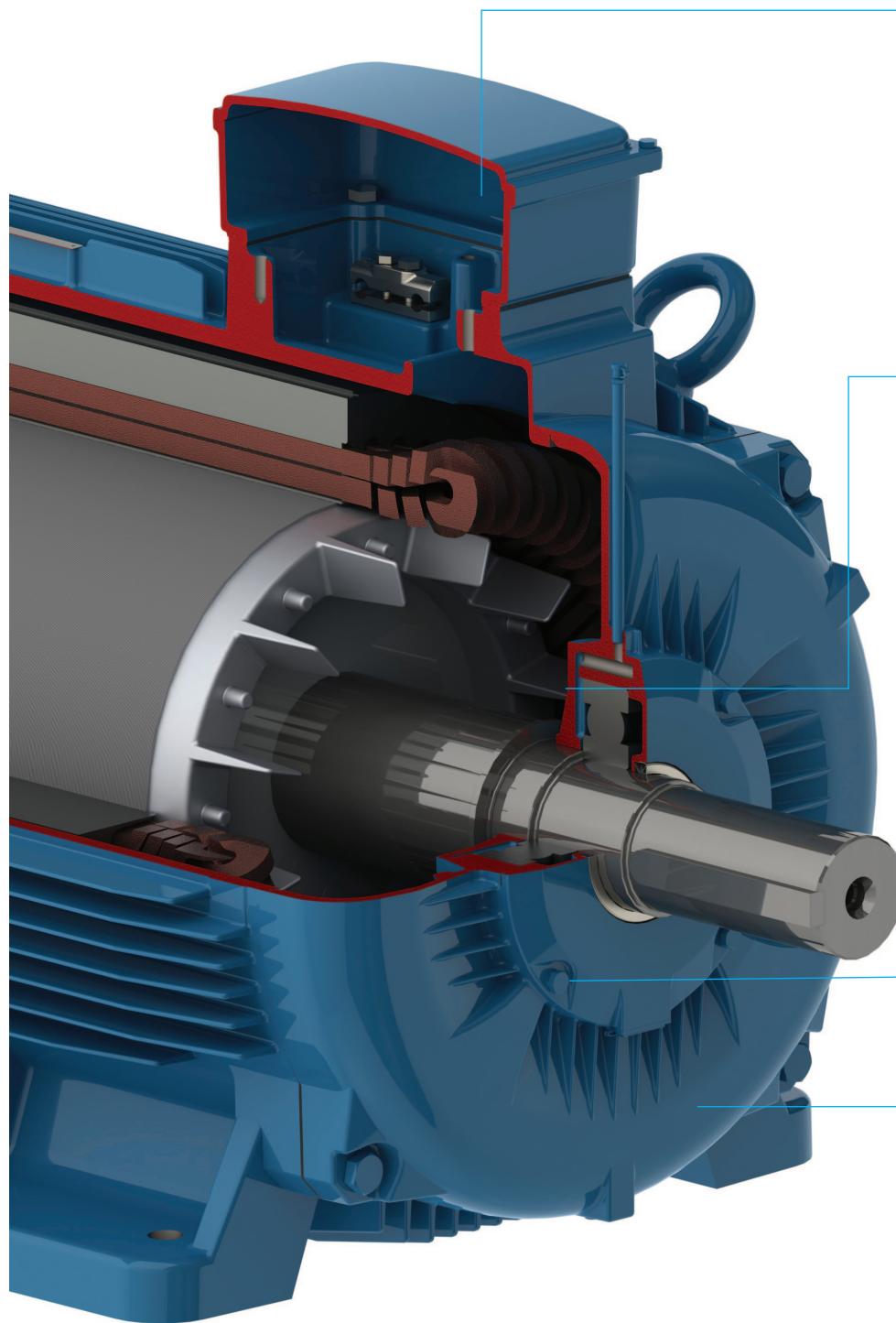
Enhanced Lifting Provisions

- Easier handling - horizontal & vertical
- Higher mechanical strength and handling safety

Solid feet

- More impact resistance
- Ideal for high vibration level applications





Terminal Box

- Better connection quality
- Easier cable handling during installation
- More space available for accessory installation
- Easier Maintenance
- Mounting F1/F2/F3
- Rotation on 90° stages

Bearing Caps

External

- Finned surface for improved bearing heat dissipation

Internal

- Change of grease path for positive lubrication
- Bearing lubrication quality improvement
- Reduced bearing temperature

Seal Subsystem

- Increased dust and moisture protection
- Increased protection to high-pressure cleaning

Endshields Subsystem

DE (Drive Endshield)

- New fin design
- Bearing moved outwards for better load support
- Improved bearing heat dissipation for reduced bearing temperature
- Reinforced endshield structure

NDE (Non-Drive Endshield)

- New design with smooth exterior surface
- Improved air flow
- Noise level reduction
- Improved structural rigidity for low vibration



WEG Electric Corp. offers the following products, and more! With a full range of IEC/NEMA Global Certifications and a full line of products, WEG can supply the right solution for your needs anywhere in the world. To learn more about WEG's products and solutions or to locate a Distributor near you, please call **1-800-ASK-4WEG** or visit **www.weg.net/us**.

**Low Voltage Motors,
Single and 3-Phase, 1/8 – 700HP**

- General Purpose Motors
- Explosion Proof Motors
- Crusher Duty Motors
- IEC Tru-Metric Motors
- Pump Motors including JP/JM
- P-Base Pump Motors
- Oil Well Pumping Motors
- Pool & Spa Motors
- Brake Motors
- Compressor Duty Motors
- Farm Duty Motors
- Poultry Fan Motors
- Auger Drive Motors
- IEEE 841 Motors
- Stainless Steel Wash Down Motors
- Saw Arbor Motors
- Cooling Tower Motors
- Commercial HVAC Motors
- Pad Mounted Motors
- Vector Duty Motors

Large Electric Motors

- Low Voltage 3-phase motors up to 2,500HP
- Induction Motors up to 70,000HP and 13,200V
- Wound Rotor Systems (including starters) up to 70,000HP and 13,200V
- Synchronous Motors up to 200,000HP and 13,200V
- Explosion proof motors (Ex-d) up to 1,500kW and 11kV
- Ex-n, Ex-e, Ex-p motors

Variable Frequency Drives

- Low Voltage 1/4 to 2500HP, 230V – 480V
- Medium Voltage 500-10,000HP
- Multi-pump systems
- NEMA 4X
- Dynamic braking resistors
- Line and load reactors
- Plug and play technology
- Network communications: Profibus-DP, DeviceNet, Modbus-RTU
- PLC functions integrated
- Complete line of options and accessories

Soft Starters

- 3-1500HP
- Oriented start-up
- Built-in bypass contactor
- Universal source voltage (230-575V, 50/60Hz)
- Network communications: Profibus-DP, DeviceNet, Modbus-RTU
- Complete Line of options and accessories
- MV Soft-starter 3.3kV, 4.16kV: up to 3500HP, Withdrawable Power Stacks, & 8x PT100 Temperature monitoring

Controls

- Mini – Contactors
- IEC Contactors
- Thermal Overload Relays
- Manual Motor Protectors
- Molded Case Circuit Breakers
- Smart Relays
- Enclosed Starters: combination & non-combination,
- Pushbuttons & Pilot Lights
- Timing & Motor Protection Relays
- Terminal Blocks

Custom Panels

- Custom configured to your specification.
- NEMA 1, 12, 3R, 4 and 4X cabinets
- Quick delivery of preconfigured drives and soft starters
- UL 508 certified
- Low Voltage (230-460)
- Made in the U.S.A.

Generators

- Brushless Synchronous Generators for diesel gen-sets up to 4,200kVA
- Hydro-generators up to 25,000kVA
- Turbo-generators up to 175,000kVA

Power Transformers

- Built and engineered in North America
- Voltages < 345kV
- Ratings 5-250MVA
- Station class, oil filled, round core, copper windings
- Special configurations and designs available! Ask your WEG Sales Representative for details.
- Designed, built, and engineered to ANSI standards.

Custom Solution Package Sales

- WEG can package any of its products for ease of sale! Enjoy a single point of contact for the entire package of products and assistance from quote through after-sales support. Ask your WEG Sales representative for details.



WEG ELECTRIC CORP.
 6655 Sugarloaf Parkway
 Duluth, GA 30097
 Phone: 1-800-ASK-4WEG
 Fax: 678-249-1155
info-us@weg.net
www.weg.net/us

Please contact your authorized distributor: